



# Nikki Leather Collection

3 seater leather sofa shown in Puglia Ice (Cover 1).

foamflex<sup>+</sup>

Colours represented are to be used as a guide only, colour shadings can vary slightly from each roll of fabric/leather hide. Please refer to manufacturers swatch for more colour options.

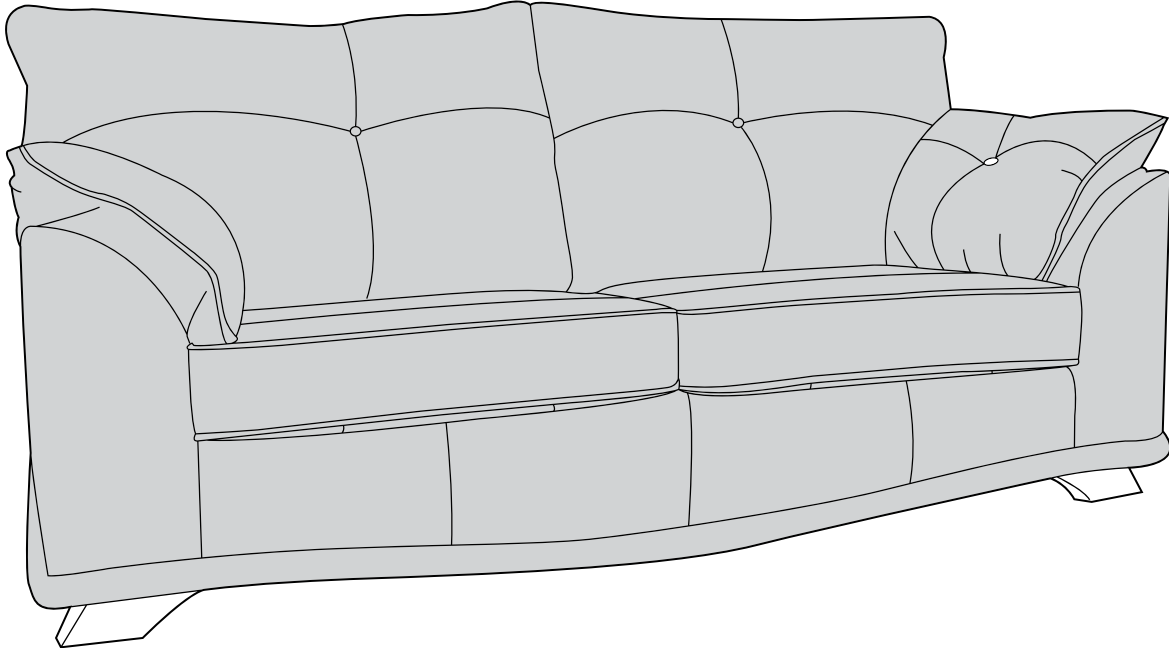
25/02/2025

# NIKKI LEATHER COVER GUIDE: STANDARD BACK ONLY

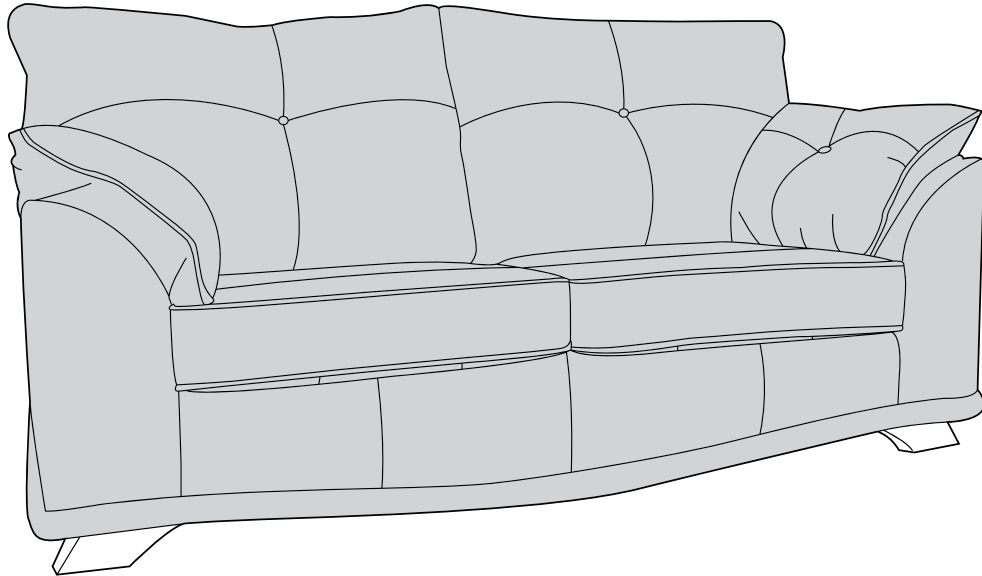
Please use this guide when ordering the following pieces to clarify cover options.

## STANDARD BACK

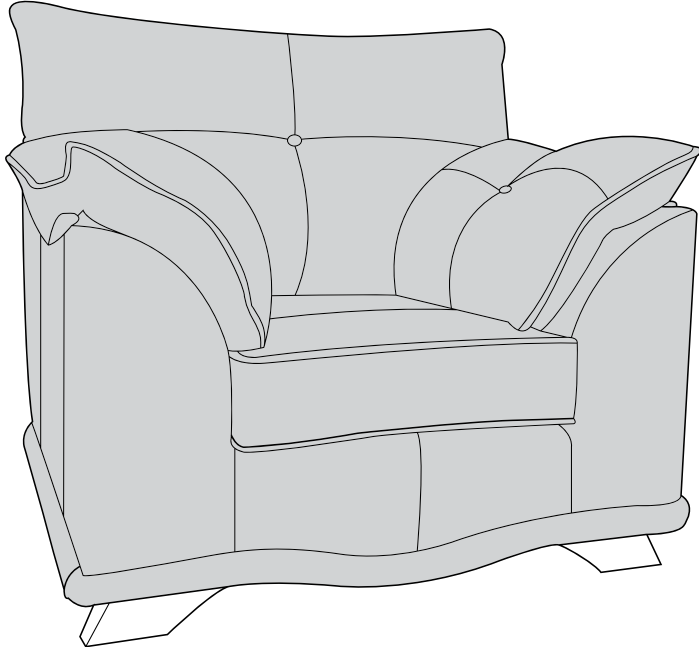
3 Seater Sofa (3ST)



2 Seater Sofa (2ST)



Arm Chair (1ST)



MANUFACTURER MEMBER



Weight limits per seat: tested according with BS EN 12520:2010 & BS EN 1022:2005 for general domestic use which are based on persons weighing up to a maximum of 110kg.



# NIKKI LEATHER DIMENSIONS (CM)

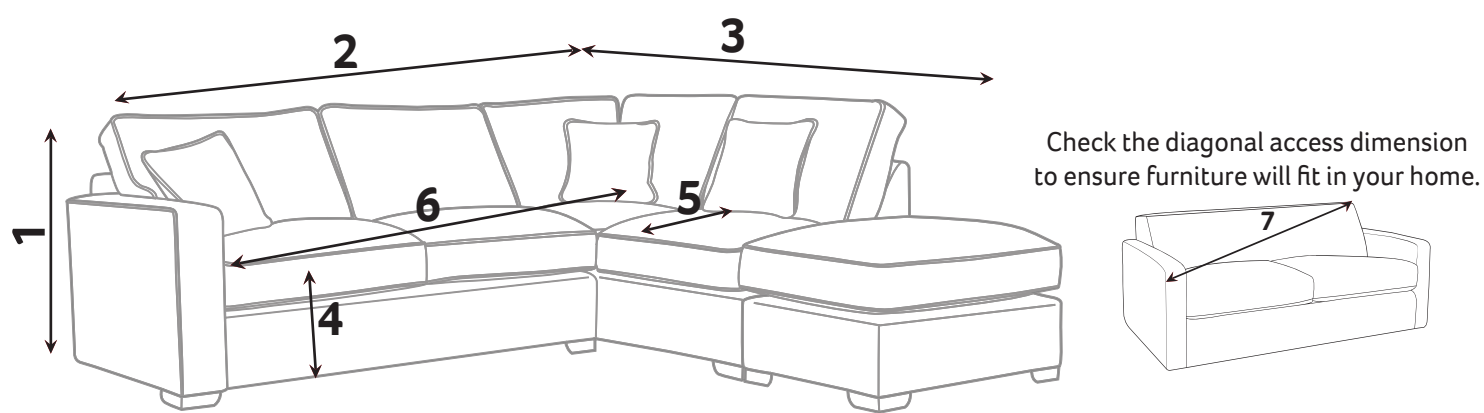
AVAILABLE PIECES	HEIGHT 1	WIDTH 2	DEPTH 3	SEAT HEIGHT 4	SEAT DEPTH (STD) 5	SEAT WIDTH 6	ACCESS DIAGONAL 7	WEIGHT (KG)
3 SEATER SOFA	88	209	102	53	55	140	227	62
2 SEATER SOFA	88	172	102	53	55	100	194	54.5
ARM CHAIR	88	108	102	53	55	38	142	38

- \* Hardwood & composite board frame.
- \* Dowelled, screwed, glued & stapled joinery.
- \* Mid Oak & Walnut wood foot options.

- \* foamflex+ seat interior.
- \* Fibre Filled backs for added comfort.

- \* Serpentine seat springs & silent wire.
- \* Elasticated back webbing.

## DIMENSION GUIDE



- 1 - HEIGHT
- 2 - WIDTH
- 3 - DEPTH
- 4 - SEAT HEIGHT
- 5 - SEAT DEPTH (STD & PILLOW)
- 6 - SEAT WIDTH
- 7 - DIAGONAL ACCESS

Illustrations used for reference only.

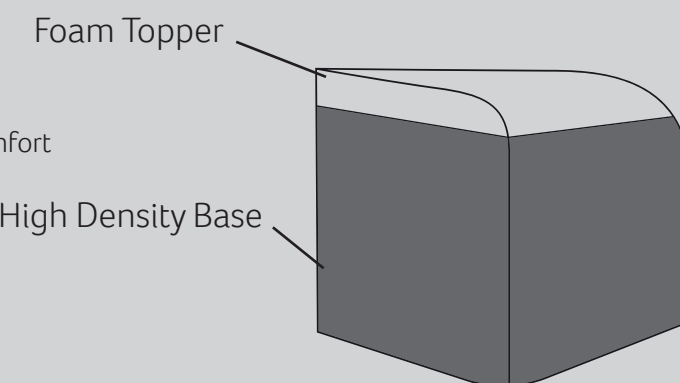
## foamflex+

Our expertly engineered foam seat interior gives you the comfort of fibre with the retention of foam.

## CARE GUIDE

To improve the longevity of your hand-made furniture, we recommend rotating cushions (where applicable).

For further information on maintaining your furniture, please refer to the Care Guide located under the seat platform.



See terms & conditions

## FOOT OPTIONS:



Wood is a natural product and will vary in shade/colour from item to item. Feet may require fitting.

Please note : All dimensions are approximate. Allow tolerance of +/- 2.5cm.

25/02/2025

# LEATHER RANGE

We only use full leather for our collections; no splits apply.

## PUGLIA

Puglia is a corrected grain leather crafted from top-quality hides processed in Italy. The hides are machine-buffed to remove superficial characteristics, then coated with a pigment to ensure consistent coloration across every piece. The surface is embossed with an artificial grain to deliver a uniform appearance, reducing visible natural markings and enhancing the leather's physical durability. This finish also minimizes absorption from spills, making Puglia a practical and family-friendly option. Available in a refined palette of five versatile colours, Puglia offers an elegant and easy-to-maintain solution for modern living spaces.



## NAPOLI

Napoli is a natural grain, Semi-Aniline leather made of high quality hides that have been processed in Italy. A special re-tanning process is applied to give the leather its rich hand feel. A contrasting roller effect has been applied to the surface of each hide to add visual character, before being treated with a protective finish to increase durability. A characterful and family-friendly leather.



## LAZIO

Lazio is a hand-buffed Aniline leather made of top quality hides that have been processed in Italy. This leather is a celebration of the rich history of each and every hide and the individual characteristics that make them unique. The hides are buffed by hand, piece by piece. Other than a light protective finish that has been applied to the grain in order to increase its physical performance, Lazio's surface is completely natural and free from additional treatments so as to retain the natural look of the leather. Natural leather will be subject to shade variation between and even within upholstered panels, ensuring every piece of furniture is unique.

